

# VANDALPROOF & WATERPROOF 50 mm TRACKBALLS

**ALL STAINLESS STEEL : CARRIER PLATE , SWITCHES, HOUSING**

The **TSA50 series** are waterproof and vandalproof (over 20 Joules impacts) industrial trackball units. The IP68 waterproof level of the trackball module is inherent to the used Optical Navigation Technology with solid state sensing. The trackball is maintenance free as there are no moving parts except for the ball and it withstands impacts on the top of over 20 Joules. The unit has an appealing and robust look, the carrier plate, cover ring, the three anti-vandal switches and the housing all made of high grade stainless steel. The unit has combo PS/2 & USB output with auto-recognition.

The use of AISI 316 stainless steel for the various parts ensures the best resistance in salty or greasy environments. Due to its outstanding sealing - and impact specification levels, its professional style and its industrial robustness, this trackball unit is the best suited pointing device for all harsh or hostile environments, indoor and outdoor.

Fields of applications are very wide : public access- and information kiosks, internet- and entertainment terminals, navigation controls, food industry, processing industries and many others.

**WITH IP65 PUSHBUTTON SWITCHES**

TSA50F2

Option : The TSA50F2 can be supplied with a black coated stainless steel topplate. TSA50F2-BT1

**WITH IP68 SHORT TRAVEL SWITCHES**

TSA50F8 (panelmount) & TSA50S8 (desktop)

Complete waterproof : all parts of this unit are waterproof to IP68 sealing grade; not just the trackball itself but also the three switches and the complete housing.



Panel mount versions :

A specially made panel sealing forms part of the supply.

dim : 100x116x40 mm

weight : 0,6 kg

Enclosed version :

Stainless steel enclosure. Enclosure adequately sealed by silicon sponge seals and the sealed buttons warrant for an IP68 waterproof sealing grade for the complete desktop unit.

dim : 200 x 120 x 60 mm

weight : 1 kg

**• CONNECTIVITY**

These combo PS/2 & USB trackball units have a 1,6 meter long shielded straight cable ended by a PS/2 plug. An adaptor to USB type A is added. No special device driver is needed, use standard available drivers of your operating system.

\* Due to the increasing differences of the PS/2 mouse port specifications of the various PC manufacturers, we do recommend that this unit should be tested on the final PC configuration and operating system prior to installing it in series.

**• ORDERING INFO**

Vandalproof trackball	Panel mount version	Enclosed version
with IP65 push button switches Black topplate	<b>TSA50F2</b> <b>TSA50F2-BT1</b>	
with IP68 short travel switches	<b>TSA50F8</b>	<b>TSA50S8</b>

Output : PS/2 & USB Combo

# VANDALPROOF & WATERPROOF 50 mm TRACKBALL

## • SPECIFICATIONS

Carrier plate : brushed stainless steel (AISI 316)  
 Ball diameter : 50,8 mm.  
 Ball material : epoxy resin, mid-grey  
 Tracking force : nom. 50 grams  
 Lifetime : > 2 million ball revolutions  
 Protection class : IP68  
 Impact : up to 20 Joules  
 Mounting position : all angles  
 Supply voltage : 3,6V to 5,5V  
 Supply current : 150 mA max  
 Operating temperature range : 0°C to +60°C  
 Storage temperature range : -25°C to +80°C

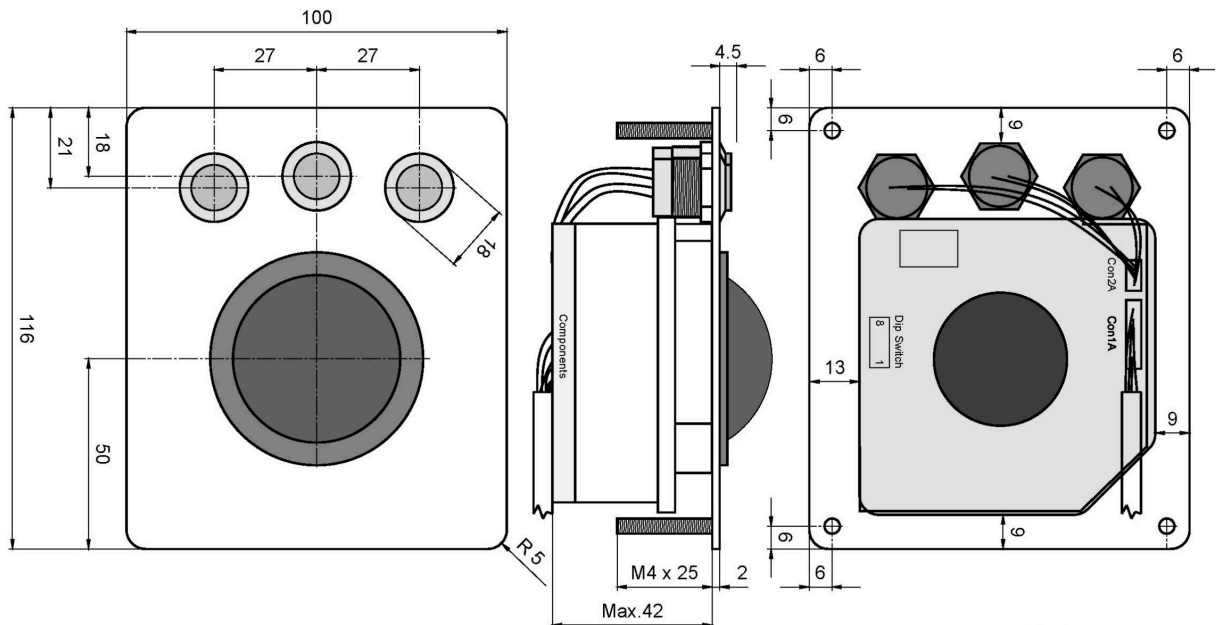
### PUSH BUTTON SWITCHES

	TSA50F2	TSA50F8
Sealing	IP65	IP68
Travel	1,3mm	0,5 mm
Operating force	4N typ	4N typ
Material	stainless steel	stainless steel
Contacts :	gold plated	st.st. dome on gold
Mechanical life	1 million cycles	3 million cycles

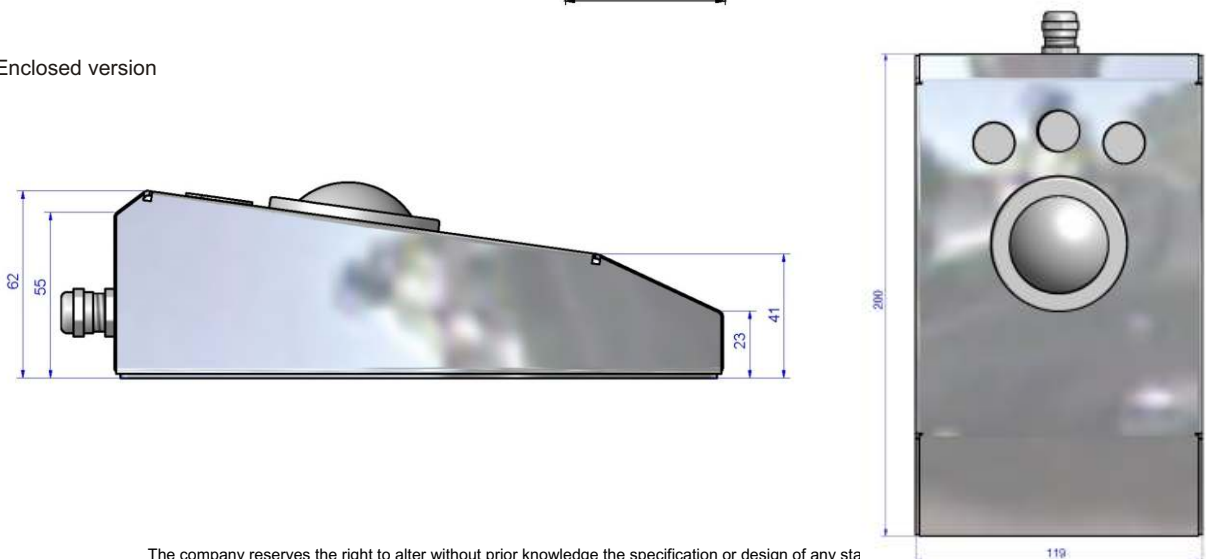
**CE** : compliant to EMC Directive 89/336/EEC for Electromagnetic Compatibility. Low Voltage Directive 73/23/EEC not applicable for our trackballs.

## • DIMENSIONAL DRAWING

Panel mount version



Enclosed version



The company reserves the right to alter without prior knowledge the specification or design of any sta



NSI bvba, Haakstraat 1A, B-3740 Bilzen, Belgium  
 Tel. : ++32 (0) 89 51 90 00 Website : [www.nsi-be.com](http://www.nsi-be.com)  
 Fax : ++32 (0) 89 51 90 09 E-mail : [info@nsi-be.com](mailto:info@nsi-be.com)