

34 mm TRACKBALL

TRACKBALL FOR TOP-PANEL MOUNTING

PS/2 output

The KB34-1542 is a high specification keyboard or panel mounted trackball with direct PS/2 output.

This trackball features ABS construction and high quality shafts and bearings to ensure precision movement. Compact dimensions, four switches and front of panel mounting make the KB34 ideal for keyboard, console or process control applications.



KB34-1542

• SPECIFICATIONS

Sealing	None, IP40	Tracking force	7 grams nominal
Casing material	ABS, light-grey colour	Mounting angle	Max. 30° to horizontal plane
Top plate material	ABS, light-grey colour	Lifetime - Ball revolutions	>= 2 million
Ball material	Polyester	Storage temperature	-20°C to +65°C
Ball colour	Mid-grey colour	Operating temperature	-10°C to +60°C
Ball diameter	34 mm	Relative humidity	95% non-condensing.
Weight	60 grams	Vibration	5G, 5-2KHz any plane
Shaft diameter	3 mm		

• CONNECTIVITY

The **KB34-1542** is PS/2 compatible and is supplied with a 1,6 meter long shielded cable with PS/2 plug. No special device driver is required.

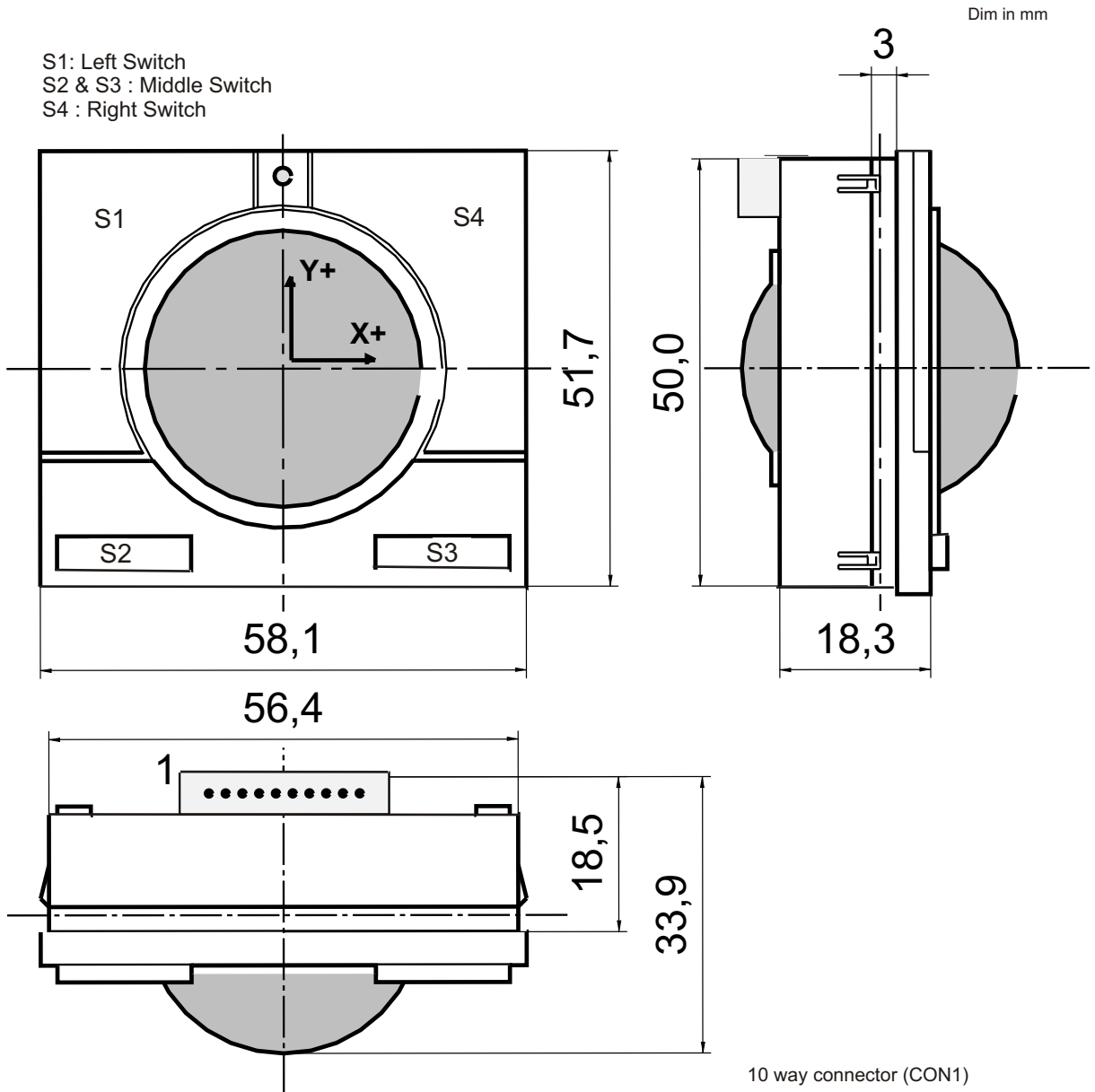
** Due to the increasing differences of the PS/2 mouse port specifications of the various PC manufacturers, we do recommend that this unit should be tested on the final PC configuration and operating system prior to installing it in series.*

• ORDERING INFO

Output	Order Number	Consisting of :
PS/2	KB34-1542	K34-144138 : Trackball module only OC6010160 : 1,6 m shielded cable with 6 pin mini DIN plug

34 mm TRACKBALLMODULE

• DIMENSIONAL DRAWING



10 way connector (CON1)

Pin	PS/2 output
1	-
2	-
3	-
4	-
5	-
6	-
7	Vcc
8	Data
9	CLK
10	GND

Connector type : JST PH Series 2,0mm pitch.
Mating part : JST KR Connectors (10KR-8M)

The company reserves the right to alter without prior knowledge the specification or design of any standard product or service.



NSI bvba, Haakstraat 1A, B-3740 Bilzen, Belgium
Tel. : ++32 (0) 89 51 90 00 Website : www.nsi-be.com
Fax : ++32 (0) 89 51 90 09 E-mail : info@nsi-be.com